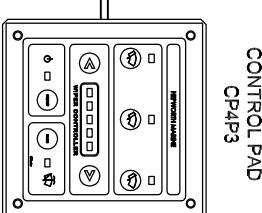
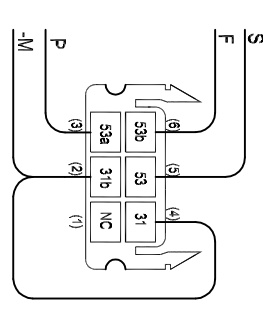
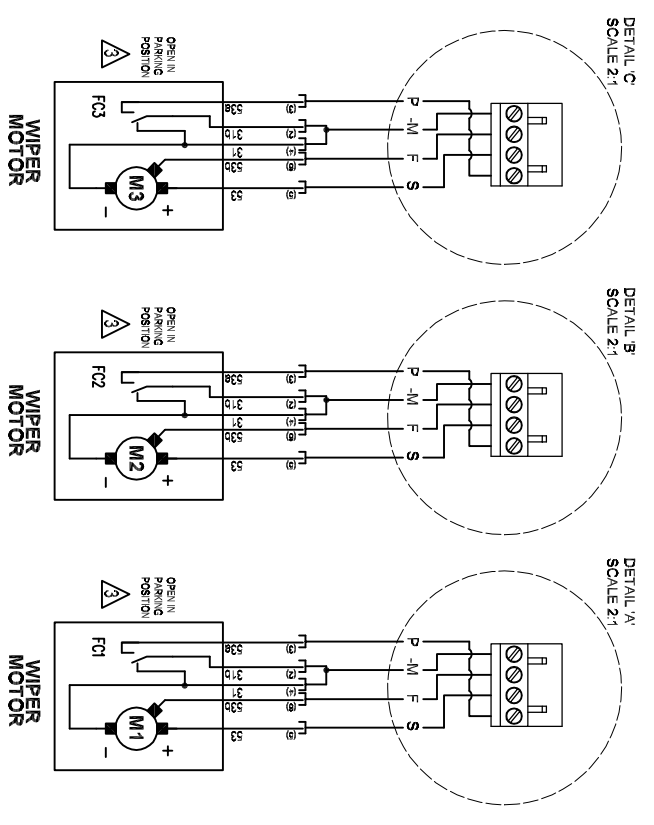
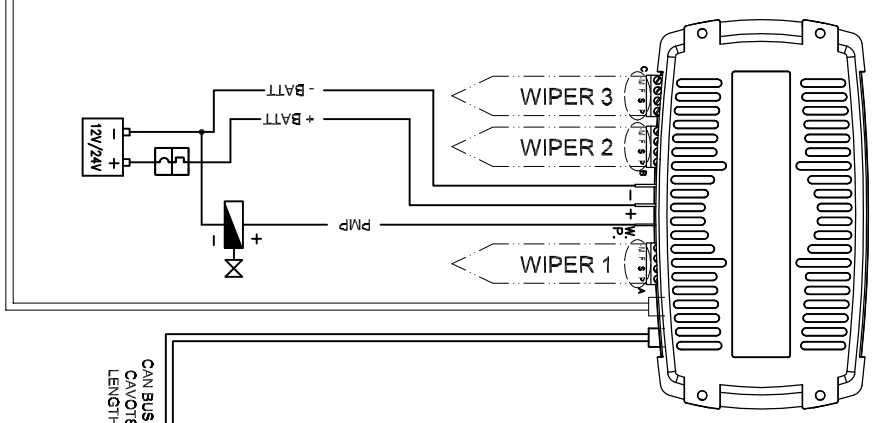


+BATT POSITIVE POLE OF POWER SUPPLY  
 -BATT NEGATIVE POLE OF POWER SUPPLY  
 PMP WINDSCREEN WASHING PUMP COMMAND  
 N.C. NO CONNECTION  
 S NORMAL SPEED MOTOR CONNECTION  
 F FAST SPEED MOTOR CONNECTION  
 -M NEGATIVE POLE OF MOTOR  
 P WIPER SELF-PARKING SWITCH INPUT

CONTROLLED  
 26 July 2011 14:03:41



CAN BUS CABLE  
CAN/OT8XX05  
LENGTH = 5m



TO OPTIONAL CONTROL UNIT CP4P2 OR TO CAN BUS NETWORK

**GENERAL TOLERANCES**  
 unless otherwise stated  
 1 Dimension - No decimal place ±  
 2 Dimension - One decimal place ± 0.5  
 3 Dimension - Two decimal places ± 0.25  
 4 Dimension - Three decimal places ± 0.125  
 5 Dimension - Four decimal places ± 0.0625

All dimensions are in mm unless otherwise stated  
 B. Hepworth & Co. Ltd., (the Owner) holds intellectual property rights in the article shown. This drawing and the article may not be copied in any form without prior written permission of the Owner.  
 © B. Hepworth & Co. Ltd., 2010

**HEPWORTH MARINE INTERNATIONAL**  
 A Division of B. Hepworth  
 2-4 Warse Road, North Moors Moat  
 Redditch, Worcestershire B99 9HL  
 (tel) 01527 63057 (fax) 01527 66636

Issue	Changes/Mod No.	Date	Name
1.	DRAWING CREATED & VALIDATED	03.05.05	A.P.G
2.	S975 - NEW GENERATION PARTS	30.06.11	D.G.H
3.	S1217 - WIRING ROUTE UPDATED	26.07.11	D.G.H

Drawing Log No. **S975** Drawn by **D.G.H** Approved by **30/06/2011**  
**INTERCONNECTION DIAGRAM**  
 CT23 SERIES CONTROLLER

1. Finish 1 - REMOVE SHARP EDGES  
 2. Finish 2 -  
 3. Other info -  
**CONTROLLED** Issue Date - 26/07/2011

HE0445-CT23/SRM3P  
 Mail Type -  
 Mail Part No -  
 Mail Size -  
**APPROXIMATE DRAWING ANGLE**

**DO NOT SCALE**

**IF IN DOUBT ASK**

HE0445-CT23/SRM3P **3**